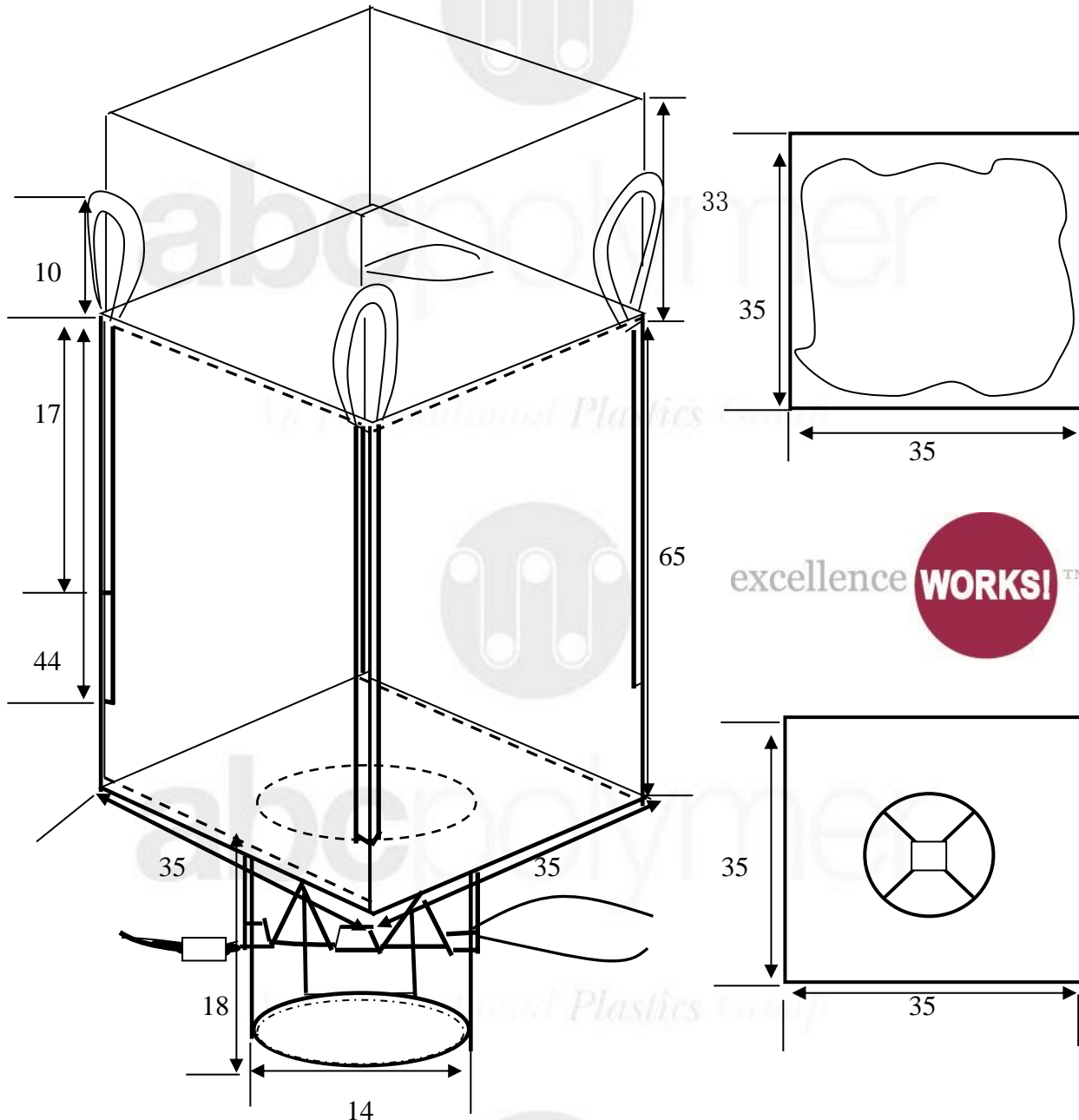




Model: ABC65DS 35" x 35" x 65" (U-Panel)



Description

1. Size / SWL / S.F.	35" x 35" x 65" / 3000 lbs. / 5:1	6. Printing:	No.
2. PP Fabric	6.5oz Coated UV Treated Fabric	7. Doc Pouch	Yes
3. Top	Duffel Top, 1/2" Tie	8. PE Liner:	No.
4. Bottom	14"D x 18"L, 1/2" Tie, Star Closure	9. Dust Proof:	Yes
5. Lifting Belt	vertically sewn Lifting Belt Loops height: 10" Sewing down: 17" & 44"		

