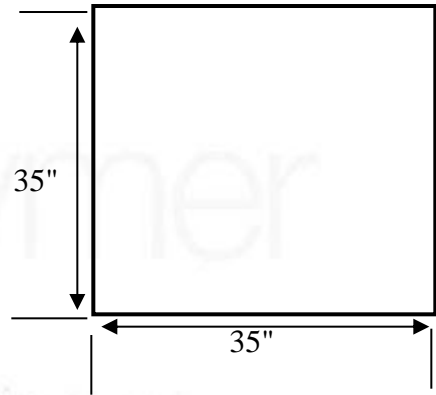
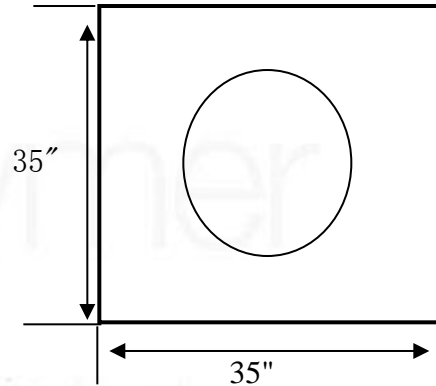
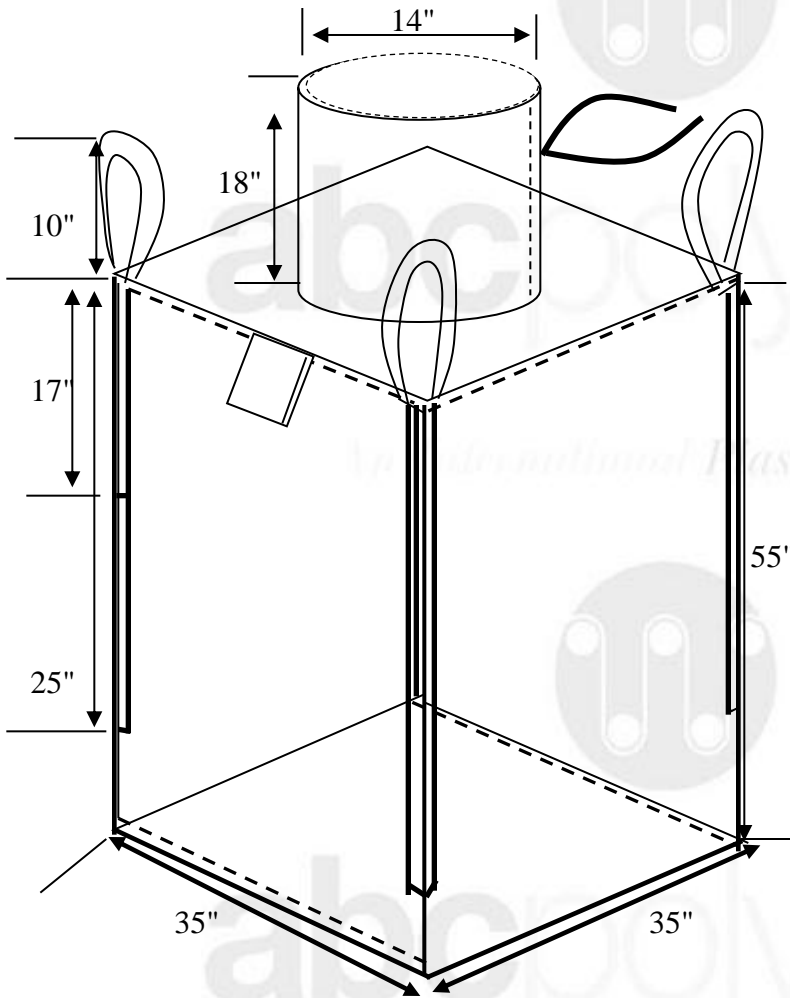




Model: ABC55SF 35" x 35" x 55" U-Panel



Description

1.Size / SWL / SF	35"x35"x55" / 3,000 lbs / 5:1	6.Printing:	No
2.PP Fabric	6.5 oz. Coated UV Treated Fabric	7.Doc Pouch:	No
3.Top	14"D x 18"L, 1/2" Tie	8.PE Liner:	No
4.Bottom	Flat Bottom	9.Dust Proof:	Yes
5.Lifting Belt	Vertically Sewn Lifting Belt , Sewing Down: 25" & 17"		