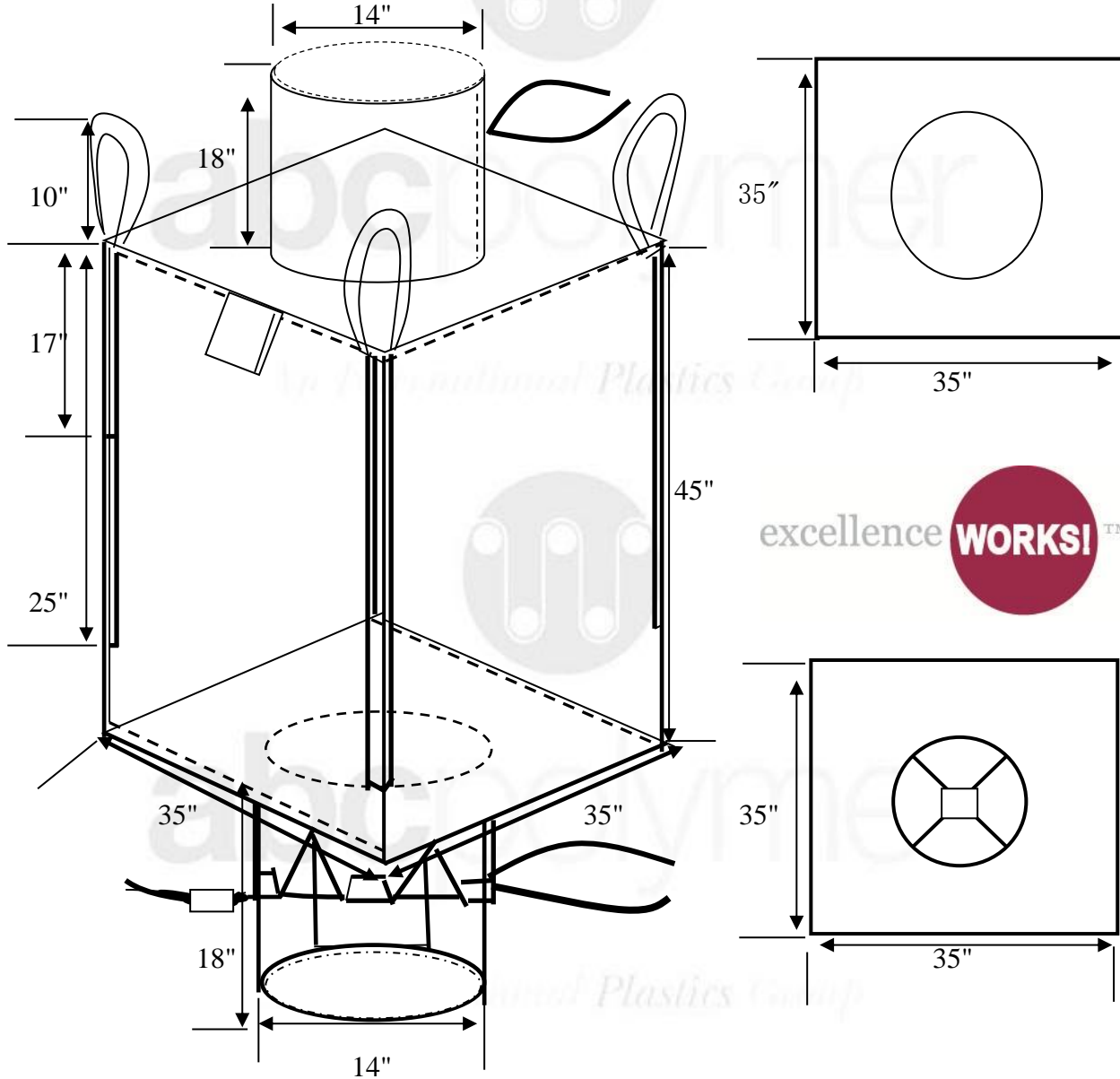




ABC Polymer Industries, LLC  
 545 Elm Street, Helena, AL 35080  
 (205) 620-9889

**Model:** **ABC45SS** **35" x 35" x 45"** **U-Panel**



**Description**

|                          |  |                      |            |
|--------------------------|--|----------------------|------------|
| <b>1.Size / SWL /SF:</b> | <b>35"x35"x45" 3000lbs 5:1</b>                       | <b>6.Printing:</b>   | <b>No</b>  |
| <b>2.PP Fabric</b>       | <b>6.5oz. Coated UV Treated Fabric</b>               | <b>7.Doc Pouch:</b>  | <b>Yes</b> |
| <b>3.Top</b>             | <b>14"D x 18"L, 1/2" Tie</b>                         | <b>8.PE Liner:</b>   | <b>No</b>  |
| <b>4.Bottom</b>          | <b>14"D x 18"L, 1/2" Tie, Star Closure</b>           | <b>9.Dust Proof:</b> | <b>Yes</b> |
| <b>5.Lifting Belt</b>    | <b>Loops Height: 10", Sewing Down: 25" &amp; 17"</b> |                      |            |

