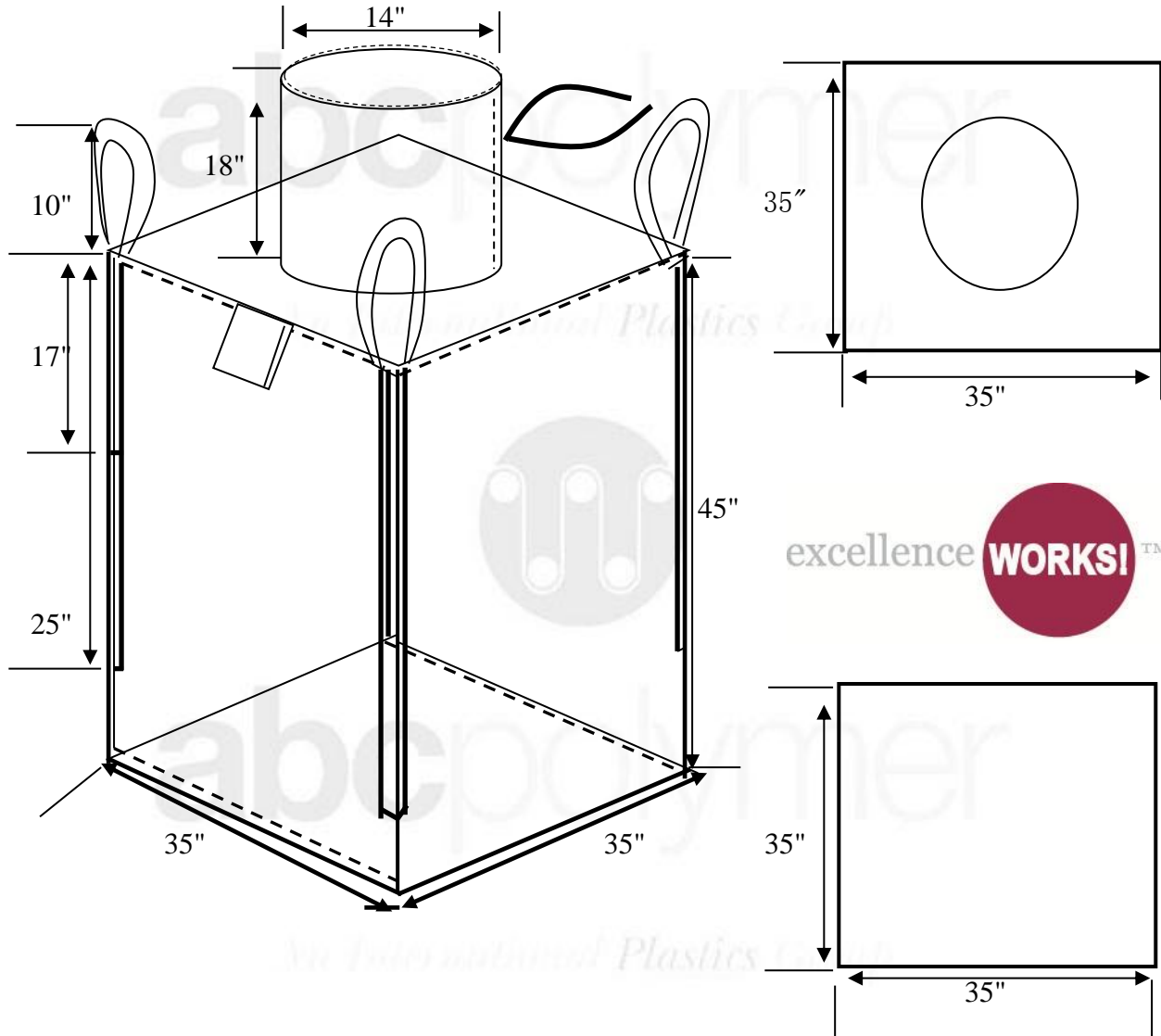




ABC Polymer Industries, LLC
949 Elm Street, Helena, AL 35080
(205) 620-9889

Model: **ABC45SF** **35" x 35" x 45"** **U-Panel**



Description

1.Size / SWL /SF:	35"x35"x45" / 3000 lbs / 5:1	6.Printing:	No
2.PP Fabric	6.5 oz. Coated UV Treated Fabric	7.Doc Pouch:	Yes
3.Top	14"D x 18"L, 1/2" Tie	8.PE Liner:	No
4.Bottom	Flat Bottom	9.Dust Proof:	Yes
5.Lifting Belt	Vertically Sewn Lifting Belt Loops Height: 10"		

